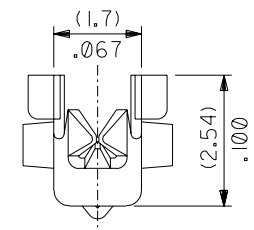
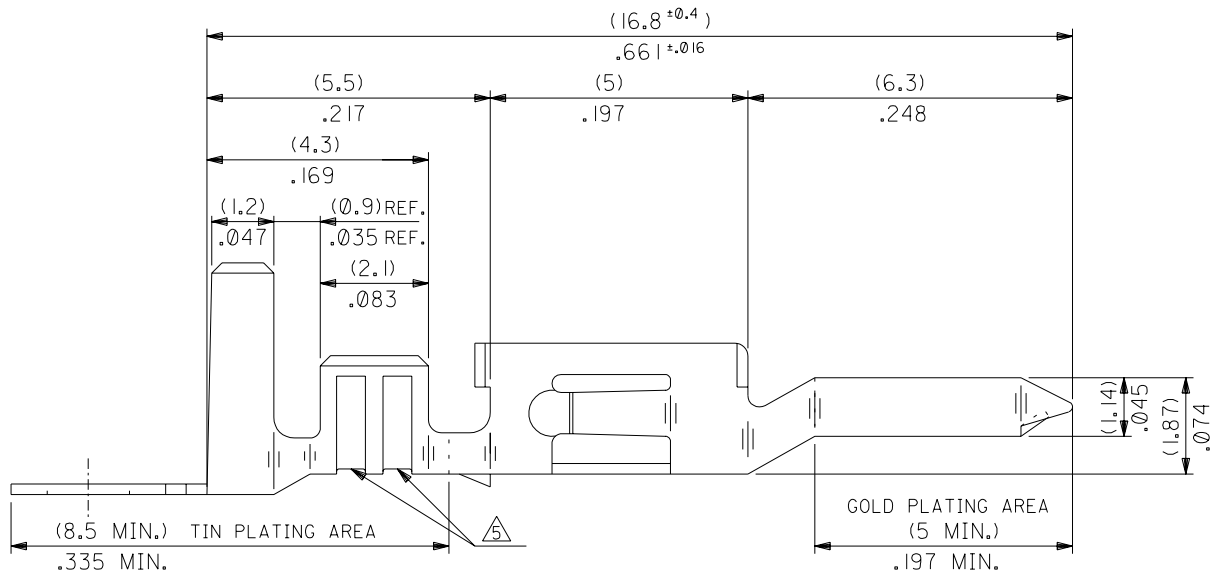
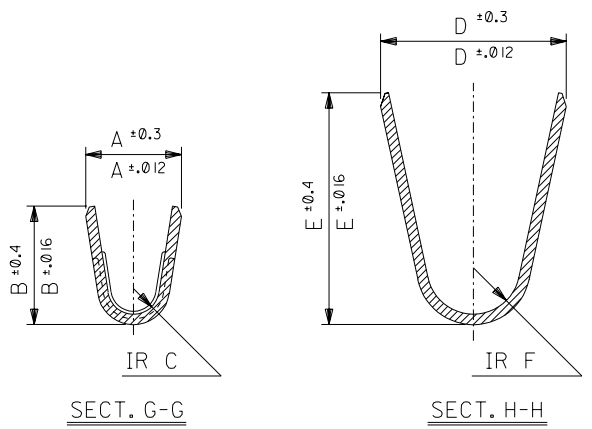


- NOTES
1. APPLICABLE HOUSING : 5559 SERIES
  2. MATES WITH TERMINAL : 5556 SERIES
  3. (METRIC) VALUES SHOWN GOVERN OVER ENGLISH CONVERSION VALUES.
  4. GENERAL TOLERANCES OF ENGLISH CONVERSION VALUES : ±.008 INCH
- △ THE NUMBER OF SERRATIONS TO BE ONE FOR WIRE RANGE #22-28.



		材料 MATERIAL		SEE SHEET 2 OF 2	molex MOLEX-JAPAN CO.,LTD. 日本モレックス株式会社	
		仕上げ FINISH		SEE SHEET 2 OF 2	EDP. NO. SEE SHEET 2 OF 2	
		適用電線範囲 WIRE RANGE		SEE SHEET 2 OF 2	ENG. NO. SHEET 1 OF 2 SD-5558**GS**	
		被覆外径 INS. RANGE		SEE SHEET 2 OF 2	REV D	
角度 ANGLE	±3°	D	REVISD (J2004-3266)	Y.S. K.T.	04/4/8	
30 以上 OVER	+0.3	C	REVISD (J10381)	H.H.	9/16/25	
10 以上 OVER 30 未満 UNDER	+0.25	B	REVISD & REDRAWN (J10202)	H.H.	9/14/27	
10 未満 UNDER	+0.2		変更内容 REVISION RECORD	DR. CHK.	日付 DATE	
一般公差 GENERAL TOLERANCES		REVISE ONLY ON CAD SYSTEM				
DRAWN BY '91/3/13 H.HIRAMOTO				CHK'D BY '92/05/21 M.FUKUSHIMA		TITLE 名称 NEW MINI. FIT CONN. CRIMP PIN -LEAD FREE-
APP'D BY '92/05/21 M.ENOMOTO				尺度 SCALE 10 - 1		


EDP NO. SEE CHART  
 ENG. NO. SHEET 2 OF 2  
 SD-5558\*\*GS\*\*

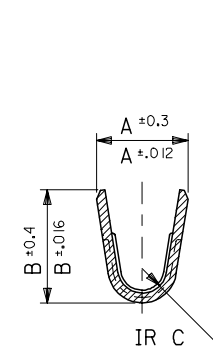
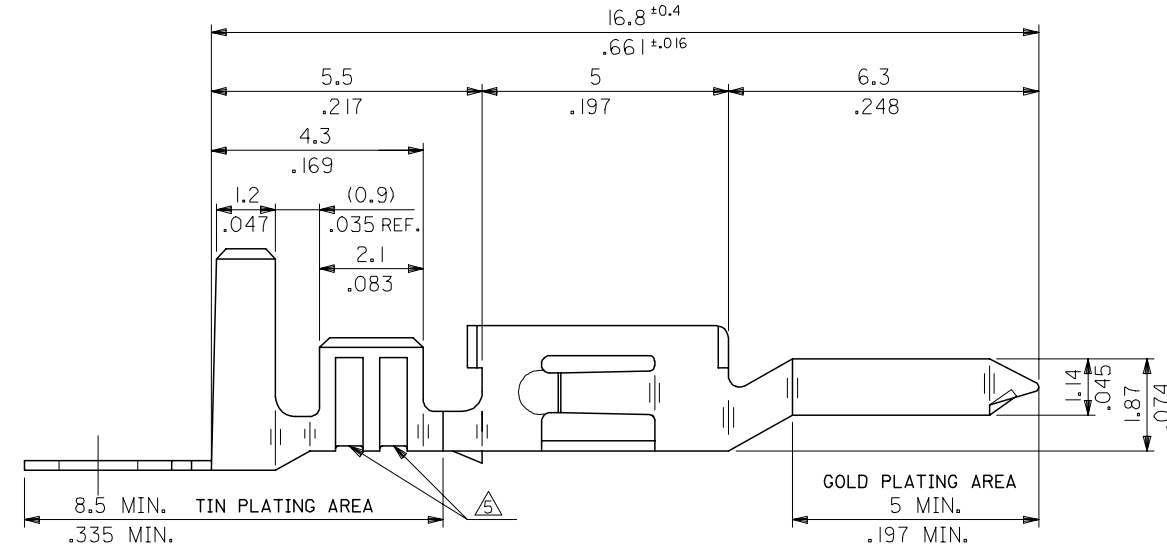
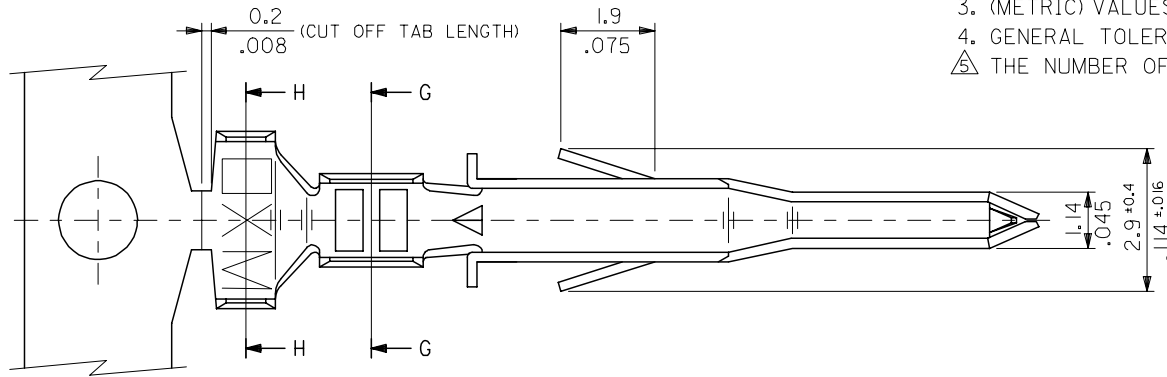
MM DIMENSIONS IN METRIC DO NOT SCALE DRAWING

MATERIAL	FINISH	F	E	D	C	B	A	INS. RANGE	WIRE RANGE	EDP NO.	MATERIAL NO.	FORM
PHOSPHOR BRONZE	SELECTIVE GOLD (0.76μm)/30m.i. MIN. AND SELECTIVE TIN (2.03μm)/80m.i. MIN. OVER NICKEL (1.27μm)/50m.i. MIN.	(0.9) .035	(4.5) .177	(3.6) .142	(0.6) .024	(2.7) .106	(2.3) .091	∅ (3.1) .122 MAX.	# 16	39-00-0224	5558 PBGS3L	LOOSE
		(0.6) .024	(2.3) .091	(2.3) .091	(0.4) .016	(1.65) .065	(1.8) .071	∅ (0.9-1.8) .035-.071	#22-28	↑ -0223	↑ PBGS3	CHAIN
		(0.9) .035	(4.5) .177	(3.6) .142	(0.5) .020	(2.3) .091	(1.9) .075	∅ (1.3-3.1) .051-.122	# 18-24	-0222	PBGS2L	LOOSE
										-0221	PBGS2	CHAIN
BRASS	SELECTIVE GOLD (1.27μm)/50m.i. MIN. AND SELECTIVE TIN (2.54μm)/100m.i. MIN. OVER NICKEL (1.27μm)/50m.i. MIN.	(0.9) .035	(4.5) .177	(3.6) .142	(0.6) .024	(2.7) .106	(2.3) .091	∅ (3.1) .122 MAX.	# 16	-0220	PBGS L	LOOSE
										-0219	PBGS	CHAIN
		(0.6) .024	(2.3) .091	(2.3) .091	(0.4) .016	(1.65) .065	(1.8) .071	∅ (0.9-1.8) .035-.071	#22-28	↓ -0148	GS9L	LOOSE
										-0147	GS9	CHAIN
	SELECTIVE GOLD (0.38μm)/15m.i. MIN. AND SELECTIVE TIN (2.03μm)/80m.i. MIN. OVER NICKEL (1.27μm)/50m.i. MIN.	(0.9) .035	(4.5) .177	(3.6) .142	(0.6) .024	(2.7) .106	(2.3) .091	∅ (3.1) .122 MAX.	# 16	↓ -0146	GS8L	LOOSE
										39-00-0145	GS8	CHAIN
		(0.6) .024	(2.3) .091	(2.3) .091	(0.4) .016	(1.65) .065	(1.8) .071	∅ (0.9-1.8) .035-.071	#22-28	40-13-0854	GS7L	LOOSE
										40-13-0853	GS7	CHAIN
	SELECTIVE GOLD (0.76μm)/30m.i. MIN. AND SELECTIVE TIN (2.03μm)/80m.i. MIN. OVER NICKEL (1.27μm)/50m.i. MIN.	(0.9) .035	(4.5) .177	(3.6) .142	(0.6) .024	(2.7) .106	(2.3) .091	∅ (3.1) .122 MAX.	# 16	↑ -0099	GS6L	LOOSE
										-0098	GS6	CHAIN
		(0.6) .024	(2.3) .091	(2.3) .091	(0.4) .016	(1.65) .065	(1.8) .071	∅ (0.9-1.8) .035-.071	#22-28	-0097	GS5L	LOOSE
										-0096	GS5	CHAIN
MATERIAL	FINISH	(0.9) .035	(4.5) .177	(3.6) .142	(0.6) .024	(2.7) .106	(2.3) .091	∅ (3.1) .122 MAX.	# 16	-0076	GS4L	LOOSE
										-0075	GS4	CHAIN
		(0.6) .024	(2.3) .091	(2.3) .091	(0.4) .016	(1.65) .065	(1.8) .071	∅ (0.9-1.8) .035-.071	#22-28	-0096	GS3L	LOOSE
										-0095	GS3	CHAIN
									-0433	GS2L7F	LOOSE	
									-0432	GS27F	CHAIN	
									↓ -0431	↓ GSL7F	LOOSE	
									39-00-0430	5558 GS7F	CHAIN	

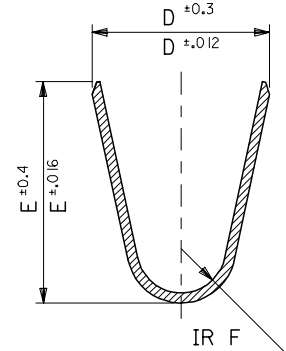
材料 MATERIAL		SEE CHART	MOLEX-JAPAN CO.,LTD. 日本モレックス株式会社
THICKNESS : (0.203)/.008			
仕上げ FINISH		SEE CHART	EDP. NO.
適用電線範囲 WIRE RANGE		SEE CHART	SEE CHART
被覆外径 INS. RANGE		SEE CHART	ENG. NO. SHEET 2 OF 2 REV D
角度 ANGLE	+3°	D SEE SHEET 1 OF 2	DRAWN BY '91/3/13 H.HIRAMOTO CHK'D BY '92/05/21 M.FUKUSHIMA APP'D BY '92/05/21 M.ENOMOTO
30 以上 OVER	+0.3	C SEE SHEET 1 OF 2	
10 以上 OVER 30 未満 UNDER	+0.25	B SEE SHEET 1 OF 2	
10 未満 UNDER	+0.2	A	
記号 変更内容 REVISION RECORD		DR. CHK. 日付 DATE	TITLE 名称 NEW MINI. FIT CONN. CRIMP PIN -LEAD FREE-
一般公差 GENERAL TOLERANCES		REVISE ONLY ON CAD SYSTEM	尺度 SCALE 10 - 1

10 9 8 7 6 5 4 3 2 1

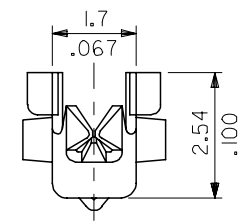
- NOTES
1. APPLICABLE HOUSING : 5559 SERIES
  2. MATES WITH TERMINAL : 5556 SERIES
  3. (METRIC) VALUES SHOWN GOVERN OVER ENGLISH CONVERSION VALUES.
  4. GENERAL TOLERANCES OF ENGLISH CONVERSION VALUES :  $\pm .008$  INCH
-  THE NUMBER OF SERRATIONS TO BE ONE FOR WIRE RANGE #22-28.



SECT. G-G



SECT. H-H



REVISED EC NO: J2005-2285 DRWN: NABEI 2005/07/06 CHKD: KTOJO 2005/07/06 APPR: NUKITA 2005/07/12	GENERAL TOLERANCES (UNLESS SPECIFIED)		DIMENSION STYLE	SCALE	DESIGN UNITS	THIRD ANGLE PROJECTION		
			MM ONLY	10:1	METRIC			
	10 UNDER	$\pm 0.2$	DRAWN BY	TITLE				
	10 OVER 30 UNDER	$\pm 0.25$	H. HIRAMOTO	NEW MINI FIT CONN CRIMP PIN -LEAD FREE-				
	30 OVER	$\pm 0.3$	M. FUKUSHIMA	MOLEX INCORPORATED				
ANGULAR	$\pm 3^\circ$	M. ENOMOTA	MATERIAL NO.	DOCUMENT NO.	SHEET NO.			
DRAFT WHERE APPLICABLE MUST REMAIN WITHIN DIMENSIONS			SEE CHART	SD-5558-002	1 OF 2			
THIS DRAWING CONTAINS INFORMATION THAT IS PROPRIETARY TO MOLEX INCORPORATED AND SHOULD NOT BE USED WITHOUT WRITTEN PERMISSION								

10 9 8 7 6 5 4 3 2 1

F

E

D

C

B

A

F

E

D

C

B

A

MATERIAL	FINISH	F	E	D	C	B	A	INS. RANGE	WIRE RANGE	EDP NO.	ENG NO.	FORM	
PHOSPHOR BRONZE	SELECTIVE GOLD 0.76µm /30m.i. MIN. AND SELECTIVE TIN 2.03µm /80m.i. MIN. OVER NICKEL 1.27µm /50m.i. MIN.	0.9	4.5	3.6	0.6	2.7	2.3	∅ 3.1 MAX.	# 16	39-00-0224	5558 PBGS3L	LOOSE	
		.035	.177	.142	.024	.106	.091	∅ .122		↑ -0223	↑ PBGS3	CHAIN	
		0.6	2.3	2.3	0.4	1.65	1.8	∅ 0.9-1.8	#22-28	-0222	PBGS2L	LOOSE	
		.024	.091	.091	.016	.065	.071	∅ .035-.071		-0221	PBGS2	CHAIN	
		0.9	4.5	3.6	0.5	2.3	1.9	∅ 1.3-3.1	#18-24	-0220	PBGS1	LOOSE	
		.035	.177	.142	.020	.091	.075	∅ .051-.122		-0219	PBGS	CHAIN	
BRASS	SELECTIVE GOLD 1.27µm /50m.i. MIN. AND SELECTIVE TIN 2.54µm /100m.i. MIN. OVER NICKEL 1.27µm /50m.i. MIN.	0.9	4.5	3.6	0.6	2.7	2.3	∅ 3.1 MAX.	# 16	-0148	GS9L	LOOSE	
		.035	.177	.142	.024	.106	.091	∅ .122		-0147	GS9	CHAIN	
		0.6	2.3	2.3	0.4	1.65	1.8	∅ 0.9-1.8	#22-28	↓ -0146	GS8L	LOOSE	
		.024	.091	.091	.016	.065	.071	∅ .035-.071		39-00-0145	GS8	CHAIN	
		0.9	4.5	3.6	0.5	2.3	1.9	∅ 1.3-3.1	#18-24	40-13-0854	GS7L	LOOSE	
		.035	.177	.142	.020	.091	.075	∅ .051-.122		40-13-0853	GS7	CHAIN	
	SELECTIVE GOLD 0.38µm /15m.i. MIN. AND SELECTIVE TIN 2.03µm /80m.i. MIN. OVER NICKEL 1.27µm /50m.i. MIN.	SELECTIVE GOLD 0.76µm /30m.i. MIN. AND SELECTIVE TIN 2.03µm /80m.i. MIN. OVER NICKEL 1.27µm /50m.i. MIN.	0.9	4.5	3.6	0.6	2.7	2.3	∅ 3.1 MAX.	# 16	39-00-0100	GS6L	LOOSE
			.035	.177	.142	.024	.106	.091	∅ .122		↑ -0099	GS6	CHAIN
			0.6	2.3	2.3	0.4	1.65	1.8	∅ 0.9-1.8	#22-28	-0098	GS5L	LOOSE
			.024	.091	.091	.016	.065	.071	∅ .035-.071		-0097	GS5	CHAIN
			0.9	4.5	3.6	0.5	2.3	1.9	∅ 1.3-3.1	#18-24	-0076	GS4L	LOOSE
			.035	.177	.142	.020	.091	.075	∅ .051-.122		-0075	GS4	CHAIN
SELECTIVE GOLD 0.76µm /30m.i. MIN. AND SELECTIVE TIN 2.03µm /80m.i. MIN. OVER NICKEL 1.27µm /50m.i. MIN.	SELECTIVE GOLD 0.76µm /30m.i. MIN. AND SELECTIVE TIN 2.03µm /80m.i. MIN. OVER NICKEL 1.27µm /50m.i. MIN.	0.9	4.5	3.6	0.6	2.7	2.3	∅ 3.1 MAX.	# 16	-0096	GS3L	LOOSE	
		.035	.177	.142	.024	.106	.091	∅ .122		-0095	GS3	CHAIN	
		0.6	2.3	2.3	0.4	1.65	1.8	∅ 0.9-1.8	#22-28	-0433	GS2L7F	LOOSE	
		.024	.091	.091	.016	.065	.071	∅ .035-.071		-0432	GS27F	CHAIN	
		0.9	4.5	3.6	0.5	2.3	1.9	∅ 1.3-3.1	#18-24	↓ -0431	↓ GSL7F	LOOSE	
		.035	.177	.142	.020	.091	.075	∅ .051-.122		39-00-0430	5558 GS7F	CHAIN	

REVISED EC NO: J2005-2285 DRWN: NABEI 2005/07/06 CHKD: KTOJO 2005/07/06 APPR: NUKITA 2005/07/12	GENERAL TOLERANCES (UNLESS SPECIFIED)		DIMENSION STYLE MM ONLY		SCALE 10:1	DESIGN UNITS METRIC	THIRD ANGLE PROJECTION	
	10 UNDER	± 0.2	DRAWN BY H. HIRAMOTO	DATE '91/03/13	TITLE NEW MINI FIT CONN CRIMP PIN -LEAD FREE- MOLEX INCORPORATED			
	10 OVER 30 UNDER	± 0.25	CHECKED BY M. FUKUSHIMA	DATE '92/05/21				
	30 OVER	± 0.3	APPROVED BY M. ENOMOTO	DATE '92/05/21	DOCUMENT NO. SD-5558-002			
	ANGULAR	± 3 °	MATERIAL NO. SEE CAHRT		SHEET NO. 2 OF 2			
DRAFT WHERE APPLICABLE MUST REMAIN WITHIN DIMENSIONS		SIZE A3	THIS DRAWING CONTAINS INFORMATION THAT IS PROPRIETARY TO MOLEX INCORPORATED AND SHOULD NOT BE USED WITHOUT WRITTEN PERMISSION					